

The Auto Dolly

Made in
the USA



Features & Specs



- 1500 lbs weight capacity
- Powder coat finish
- Move the vehicle in any direction, even sideways.
- Three widths available: 8", 12", & 16".
- Casters won't mar floors
- Two people recommended to move car

The Auto Dolly is placed under each tire of the vehicle, making the vehicle a rolling cart that will now roll in any direction with ease. The large roller bearing casters make it simple for anyone to move the vehicle in any direction.



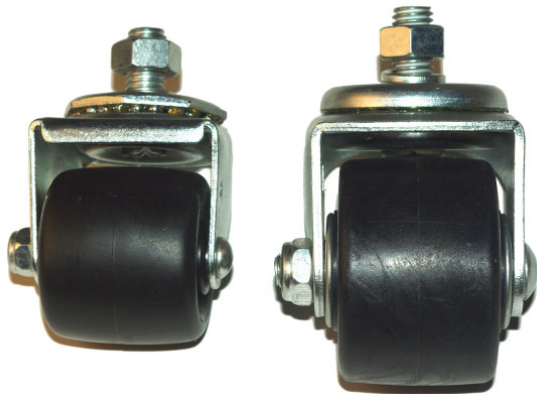
www.theAutoDolly.com 800-568-7423 ext. 188

MERRICK
The Auto Dolly & Merrick Originals

Parts Numbers: M998100 (8") M998101(12")
M998102(16") *Specifications subject to change without notice

The Heavy Duty Auto Dolly

Made in the USA



Comparison of the Heavy Duty casters to our standard Auto Dolly casters



Features & Specs



- 2500 lbs weight capacity
- Powder coat finish
- Move the vehicle in any direction
- Three width sizes available: 8", 12", & 16".
- Casters won't mar floors
- Two people recommended to move car

The Auto Dolly is placed under each tire of the vehicle, making the vehicle a rolling cart that will now roll in any direction with ease. The large roller bearing casters make it simple for anyone to move the vehicle in any direction.



www.theAutoDolly.com 800-568-7423 ext. 188

MERRICK
The Auto Dolly & Merrick Originals

Parts Numbers: M998103 (8") M998104(12")
M998188 (16") *Specifications subject to change without notice

Super Duty Dolly

Made in
the USA



Features & Specs



- 4,000 lbs weight capacity
- 6 heavy duty polyolefin casters
- Fully assembled
- Made of 1/4" steel plate
- Shipping weight 75 lbs
- Sold individually
- Two people recommended to move car

The Super Duty Dolly is a specially reinforced version of our 16" Dolly that also features six high capacity casters.



www.theAutoDolly.com 800-568-7423 ext. 188

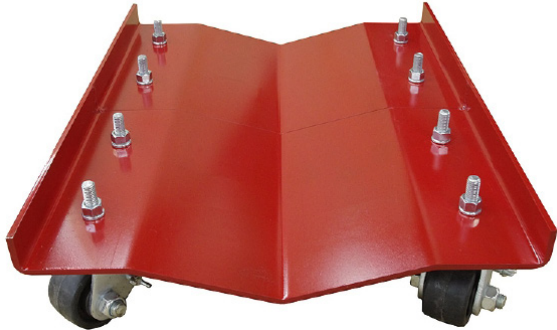
MERRICK
The Auto Dolly & Merrick Originals

Parts Number: M998043

*Specifications subject to change without notice

Dually Dolly

Made in
the USA



Features & Specs



- 5,200 lbs weight capacity per dolly
- 8 ball bearing casters
- Easily move dually vehicles in any direction
- Thread protectors on each stud
- Packaged individually
- Ribless Dually comes without center rib, with same specs

The Dually Dolly & Ribless Dually Dolly feature a special reinforced design that captures the dual wheels and underneath you'll find eight Super Duty casters to carry the load.



www.theAutoDolly.com 800-568-7423 ext. 188

MERRICK
The Auto Dolly & Merrick Originals

Parts Numbers: M998031 M9988064 (ribless)

*Specifications subject to change without notice

Ginormous Tandem Dolly

Made in
the USA



Features & Specs



- 32" between wheel casters (custom spacing available)
- 8,000 lbs weight capacity per dolly
- 12 heavy duty polyolefin casters
- 1/4" steel plate
- Sold individually
- 140 lbs shipping weight

The Ginormous Tandem Dolly was made to move tandem vehicles with ease.



www.theAutoDolly.com 800-568-7423 ext. 188

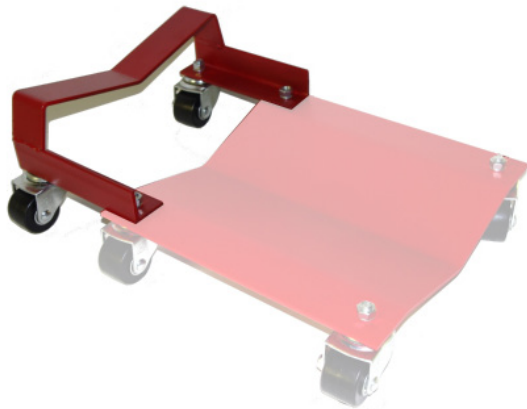
MERRICK
The Auto Dolly & Merrick Originals

Parts Number: M998051

*Specifications subject to change without notice

The Engine Dolly

Made in
the USA



Features & Specs



- "Gentle-V" design provides self-centering stability
- Easily move engines aside
- Holds Engine & Transmission combination

The Engine Dolly Attachment allows a single person to easily move an engine. Large enough to carry an engine/transmission combo.

Available for 12" The Standard and Heavy Duty Auto Dollies Dolly sold separately.



www.theAutoDolly.com 800-508-7425 ext. 100

MERRICK
The Auto Dolly & Merrick Originals

Parts Numbers: M998054 (for std. dolly)
M998055 (HD dolly)

*Specifications subject to change without notice

Roll-Around Attachment

Made in the USA



Features & Specs



- Fits a 12" standard or heavy duty dolly
- Available in 4-bolt, 5-bolt & 6-bolt patterns.
- 2 Roll-Around attachments per package
- Casters won't mar floors

The Roll-Around Attachment will give you unimpeded access to the wheel well areas and allows you to move your vehicle in any direction. A real boon to auto restoration projects, painting and body work- Now you don't have to disturb your masked-off doors to move the vehicle!



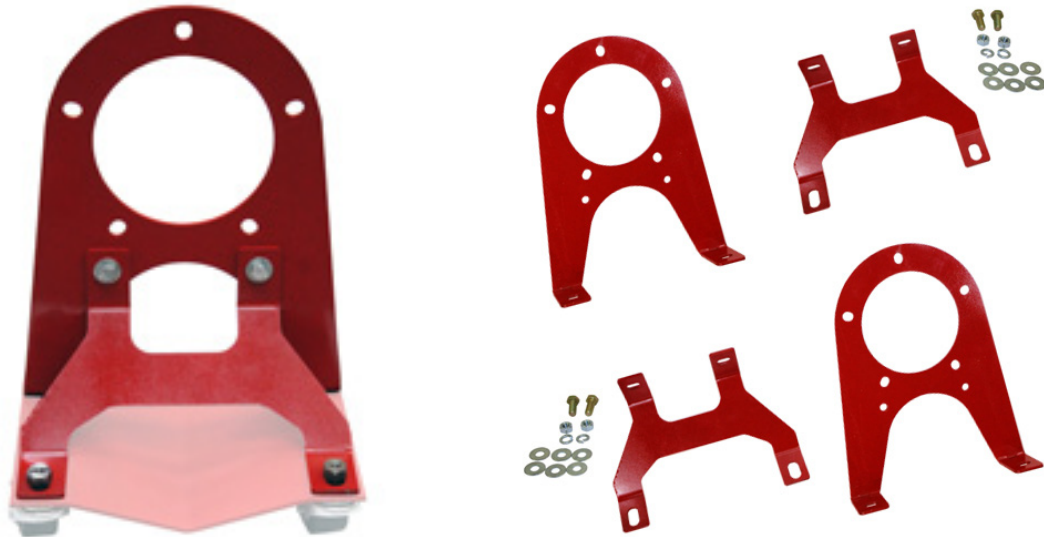
www.theAutoDolly.com 800-568-7423 ext. 188

MERRICK
The Auto Dolly & Merrick Originals

Parts Numbers: M998074 (5-bolt) M998077 (4)
M998075 (6-bolt) *Specifications subject to change without notice

Late-Model Roll Around

Made in
the USA



Features & Specs



- Fits a 12" standard or heavy duty dolly
- Free up your jack or jack stands
- 2 Roll-Around attachments per package
- Auto Dolly not included

The Late Model Race Car Roll-Around Attachment will fit oversized hub holes and are made to fit late model race car hubs. Once attached, it will give you easy access to your wheel well areas and still be able to move the car in any direction.



www.theAutoDolly.com 800-568-7423 ext. 188

MERRICK
The Auto Dolly & Merrick Originals

Parts Number: M990059

*Specifications subject to change without notice

Modified/Stock Roll Around

Made in
the USA



Features & Specs



- Fits 12" standard or heavy duty dolly
- Two Roll-Around attachments per package
- Makes an excellent platform for auto restoration

The Race Car Roll-Around Attachment allows for different spacing on car hubs. Once attached to the dolly, it will give you easy access to your wheel well areas and still be able to move the car in any direction.

www.theAutoDolly.com 800-568-7423 ext. 188

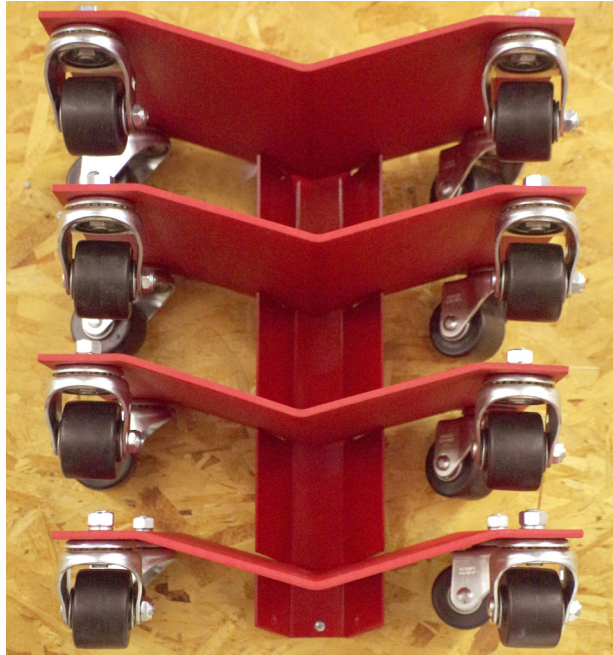
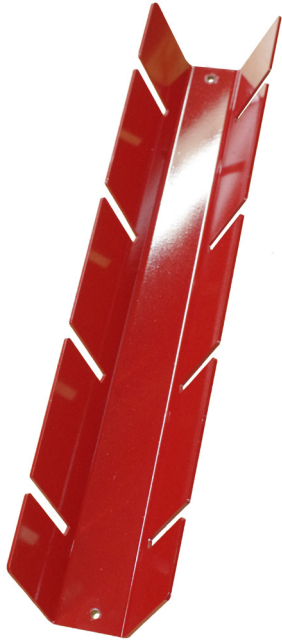
MERRICK
The Auto Dolly & Merrick Originals

Parts Number: M590059A

*Specifications subject to change without notice

The Dolly Dock

Made in
the USA



Features & Specs



- Great accessory for any Auto Dolly owner
- Stores grooved & flat-top dollies
- Mounts easily on the wall
- Holds up to four dollies
- Fits Standard and Heavy Duty Dollies
- Dollies not included

A simple, yet ingenious, way to store your Auto Dolly sets when not in use. By storing your Dolly set on the wall you save shelf or floor space. Mounts via two lag screws to any wall stud.

Our new and improved design of this best seller is now more versatile than ever! It now fits both your flat-top and grooved dollies.

www.theAutoDolly.com 800-568-7423 ext. 188

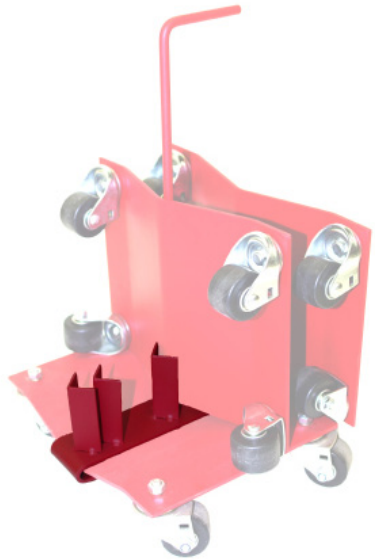
MERRICK
The Auto Dolly & Merrick Originals

Parts Number: M998071

*Specifications subject to change without notice

The Rolling Rack

Made in
the USA



Features & Specs



- No assembly required
- Converts one dolly into a convenient rolling transport
- Built in "tiller" for easy steering
- Dolly not included

The Rolling Rack slips over one dolly and provides the handle and the support for the other three. Roll the entire set wherever needed.



www.theAutoDolly.com 800-568-7423 ext. 188

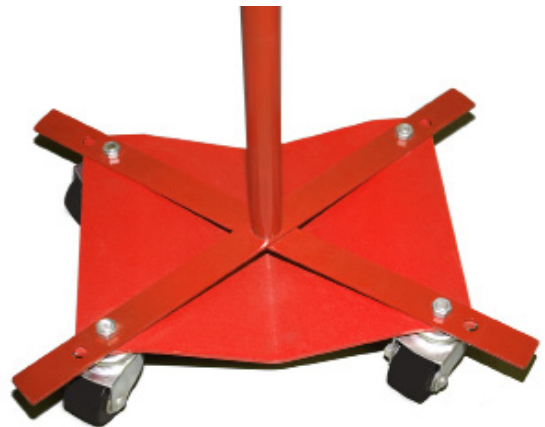
MERRICK
The Auto Dolly & Merrick Originals

Parts Number: M998072

*Specifications subject to change without notice

The Tire Dolly Attachment

Made in
the USA



Features & Specs



- Converts an Auto Dolly into a tire stack manager
- Holds up to a 48" stack of tires
- Move an entire stack of tires around easily
- Dolly sold separately

The Tire Dolly Attachment goes on a 12" Auto Dolly (Standard or Heavy Duty) and you can load an **entire set of tires and/or wheels** and **make them moveable in your shop.**



www.theAutoDolly.com 800-568-7423 ext. 188

MERRICK
The Auto Dolly & Merrick Originals

Parts Number: M998073

*Specifications subject to change without notice

Service Seat Attachment

Made in
the USA



Features & Specs



- Extra-wide saddle-style seat with internal spring system under the comfortable cover
- Fits either a 12" (Standard or Heavy Duty)

Are you tired of the poor quality seat creepers on the market with their foam-over-particle-board seat construction and the flimsy casters? You can tell that the guy who designed it never had to actually try to USE it day in and day out. We tired of them too so we designed a service seat that is both comfortable and made to last.

www.theAutoDolly.com 800-568-7423 ext. 188

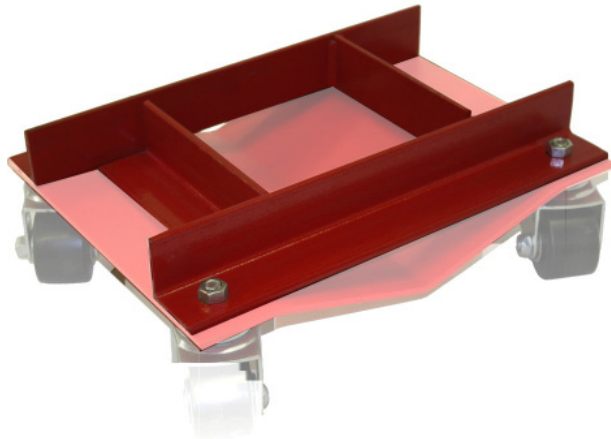
MERRICK
The Auto Dolly & Merrick Originals

Parts Number: M998201

*Specifications subject to change without notice

Trailer Jack Attachment

Made in
the USA



Features & Specs



- Captures wheels 8" in diameter and smaller
- Dolly sold separately
- Makes the wheel of your trailer jack last longer
- Fits a 12" standard or heavy duty dolly

The Trailer Jack Dolly provides a "capture" for your trailer jack or trailer jack wheel. With a pair of **The Auto Dolly** under each trailer wheel and one with the **Trailer Jack Attachment** under the jack, your trailer can now be moved in any direction (even sideways).



www.theAutoDolly.com 800-568-7423 ext. 188

MERRICK
The Auto Dolly & Merrick Originals

Parts Number: M998086

*Specifications subject to change without notice

The Cycle Dolly

Made in
the USA



Features & Specs



- Only 3/4" off the ground for easy loading/unloading
- 10 long lasting, heavy duty casters
- 1,500 lbs weight capacity
- Adjustable kick stand
- Walk your bike on with ease

The Cycle Dolly is a one-person user-friendly motorcycle stand/mover. One person can load, move, and unload a motorcycle in a matter of minutes.



www.theAutoDolly.com 800-568-7423 ext. 188

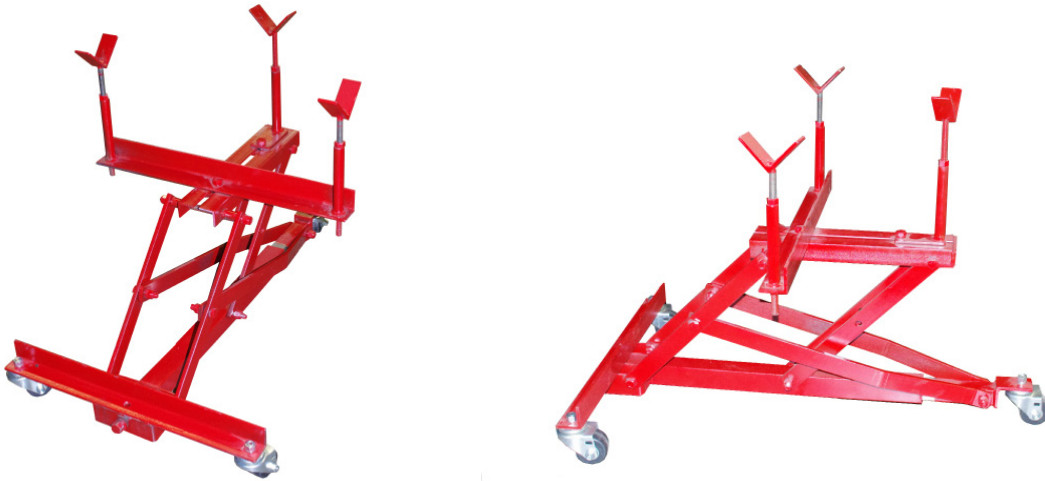
MERRICK
The Auto Dolly & Merrick Originals

Parts Number: M998030

*Specifications subject to change without notice

The Axle Lift

Made in
the USA



Features & Specs



- Holds up to 300 lbs
- Use any standard drill or impact to raise or lower quickly
- Holds most sizes of axles
- 3 heavy duty casters
- Adjustable height: 5" to 19"

Position the Axle Lift under any differential and using a regular drill or impact, run the lift up to the differential and drop the differential onto the lift.

The Axle Lift has the ability to adjust for offset pumpkins and variable height adjustment.

When you're done with the lift, just lower it and it makes for easy storage so it's out of your way.

www.theAutoDolly.com 800-568-7423 ext. 188

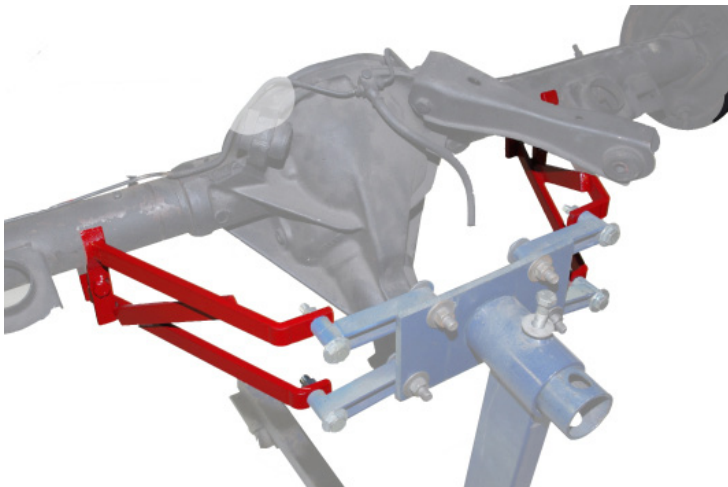
MERRICK
The Auto Dolly & Merrick Originals

Parts Number: M998068

*Specifications subject to change without notice

Rear End Axle Adapter

Made in
the USA



Features & Specs



- Holds work securely at comfortable working levels
- includes all necessary hardware
- Jaws adjust to hold almost any axle configuration
- 350 lbs weight capacity

The Rear End Axle Adapter allows you to convert any ordinary engine stand into a **powerful and versatile axle workstation.** Get double duty from your engine stand by taking full advantage of the flexibility of your engine stand.



www.theAutoDolly.com 800-568-7423 ext. 188

MERRICK
The Auto Dolly & Merrick Originals

Parts Number: M998084

*Specifications subject to change without notice

Fold n' Tilt Engine Stand

Made in
the USA



Features & Specs



- Fold out radius: 32"
- Fold up distance to top of engine stand plate: 40"
- Folded down dimensions: 14" x 40" x 18"
- 1,200 lbs weight capacity
- 100 lbs shipping

The Fold n' Tilt Engine Stand tips-up to make post-crankshaft installation operations much easier. This engine stand can hold your engine vertically, at 45 degrees, and horizontally to make all of your engine repair jobs faster and easier.

The engine stand has heavy duty, easy rolling casters attached to it for easy control of the stand.

Also, When not in use, it folds-up to save you valuable floor space in your shop or garage.

www.theAutoDolly.com 800-568-7423 ext. 188

MERRICK
The Auto Dolly & Merrick Originals

Parts Number: M998088

*Specifications subject to change without notice

Hood Picker

Made in
the USA



Features & Specs



- Universal design: installs on most cherry pickers
- Easy installation
- Length (open): 60"
- Length (closed): 35-7/8"
- Maximum width (open): 36"
- Weight: 12 lbs

The Hood Picker attaches to your engine hoist (cherry picker) and one person can easily remove and install vehicle hoods and trunk decks. When the hood picker isn't in use, it folds up for easy storage.



www.theAutoDolly.com 800-568-7423 ext. 188

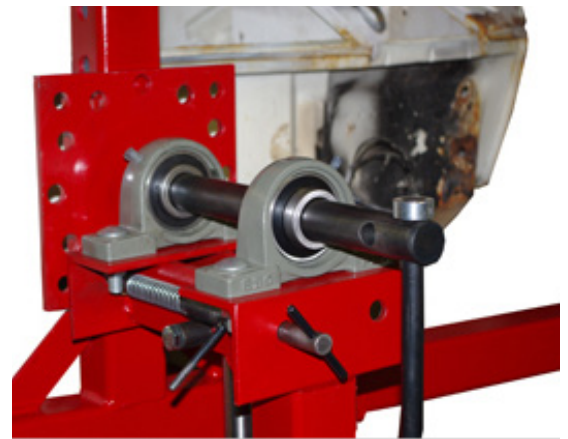
MERRICK
The Auto Dolly & Merrick Originals

Parts Number: M998090

*Specifications subject to change without notice

E-Z Spin Auto Rotisserie

Made in
the USA



Features & Specs



- Width: 61"
- Length: 35"
- Height: 62"
- Weight: 650 lbs
- Capacity: 3,000 lbs
- Work Height Adjustable: 44" - 59"
- Center Line Adjustable: 10" - 30"
- Spins 360 degrees
- 6" Phenolic HD Swivel Casters

The EZ-Spin Auto Rotisserie allows a single person to safely rotate a well-balanced and secured vehicle. It has 12 multi-angle positioning stops at 30 degree intervals and an optional hydraulic jack set for easy lifting and lowering.



www.theAutoDolly.com 800-568-7423 ext. 188

MERRICK
The Auto Dolly & Merrick Originals

Parts Number: M998080 (No Jacks)
M998080-J (jacks) *Specifications subject to change without notice

E-Z Spin Engine Stand

Made in
the USA



Features & Specs



- Mounts easily on the E-Z Spin Auto Rotisserie
- Full 360 degree angle capability
- 12 Multi-Angle Positioning Stops at 30 degree intervals

The Engine Stand attaches to a Base Stand Assembly to hold virtually any engine out there. The 4 arms are independently adjustable for virtually any bolt hole configurations. Takes advantage of all of the features our E-Z Spin system.

www.theAutoDolly.com 800-568-7423 ext. 188

MERRICK
The Auto Dolly & Merrick Originals

Parts Number: M998082

*Specifications subject to change without notice

Wheel Hanger

Made in
the USA



Features & Specs



- Angled decline so your wheels automatically rest against the wall
- Supports up to 220 lbs
- Will fit any wheel with a 1-1/2" center opening or larger.

The Wheel Hanger attaches easily onto the wall of your garage or shop, so you can space them out however you need them for all sizes of tires.



www.theAutoDolly.com 800-568-7423 ext. 188

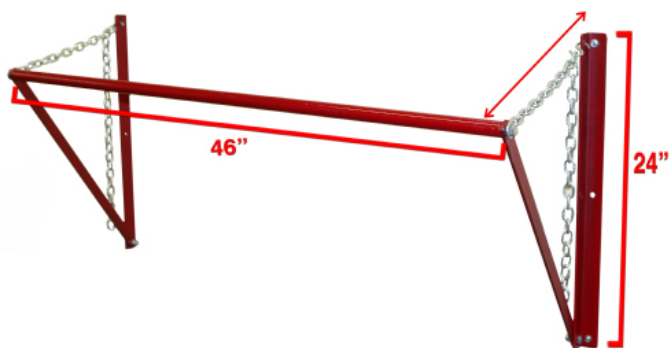
MERRICK
The Auto Dolly & Merrick Originals

Parts Number: M998070

*Specifications subject to change without notice

Wheel Storage Rack

Made in
the USA



Features & Specs



- Depth: Adjustable with chain link and "S" hooks (Maximum: 24" - easily supports 12-18" mounted tires)
- Height: 24"
- Shipping Weight: 20 lbs
- Supports up to: 400 lbs

The Wheel Storage Rack allows for easy off-floor storage of wheels and tires of any size. Folds back against wall when not in use. Adjusts (via simple chain link selection) to the size of the wheel or tire you want to store.

Fits 13", 15" and 18" tires.

www.theAutoDolly.com 800-568-7423 ext. 188

MERRICK
The Auto Dolly & Merrick Originals

Parts Number: M998058

*Specifications subject to change without notice

Merrick Auto Body Cart

Made in
the USA



Features & Specs



- Adjustable width:
0' - 7'
- Adjustable length:
0' - 8'
- Adjustable height:
18" to 24"
- 4, 6" Phenolic Casters
- 1800 lbs weight
capacity
- Painted Red

The Merrick Auto Body Cart allows you to easily move your auto body around your shop, garage, or anywhere else. The cart is specifically made to keep the bodies square and secure while you move it.

The Merrick Auto Body Cart works well with the E-Z Spin Auto Rotisserie. Easily lower your car from the rotisserie to the Body Cart.

www.theAutoDolly.com 800-568-7423 ext. 188

MERRICK
The Auto Dolly & Merrick Originals

Parts Number: M998091

*Specifications subject to change without notice